
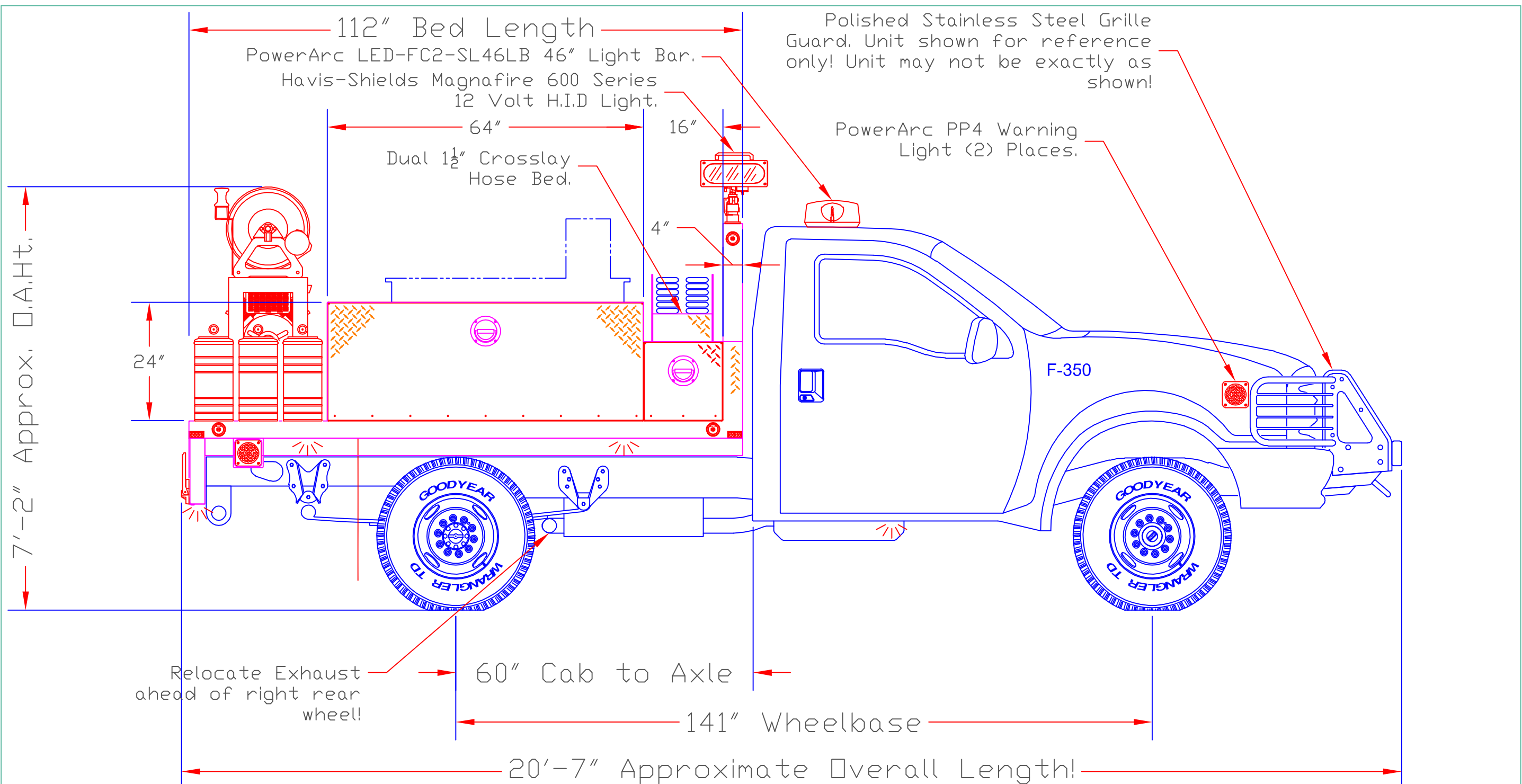


Left Side View

Time Modified: 10:57 A.M.  
 Date: 10/28/1998  
 Drawing File: F:\Drawings\Pumper\Mini\Eagle\20558001.dwg  
 Scale: 1=20

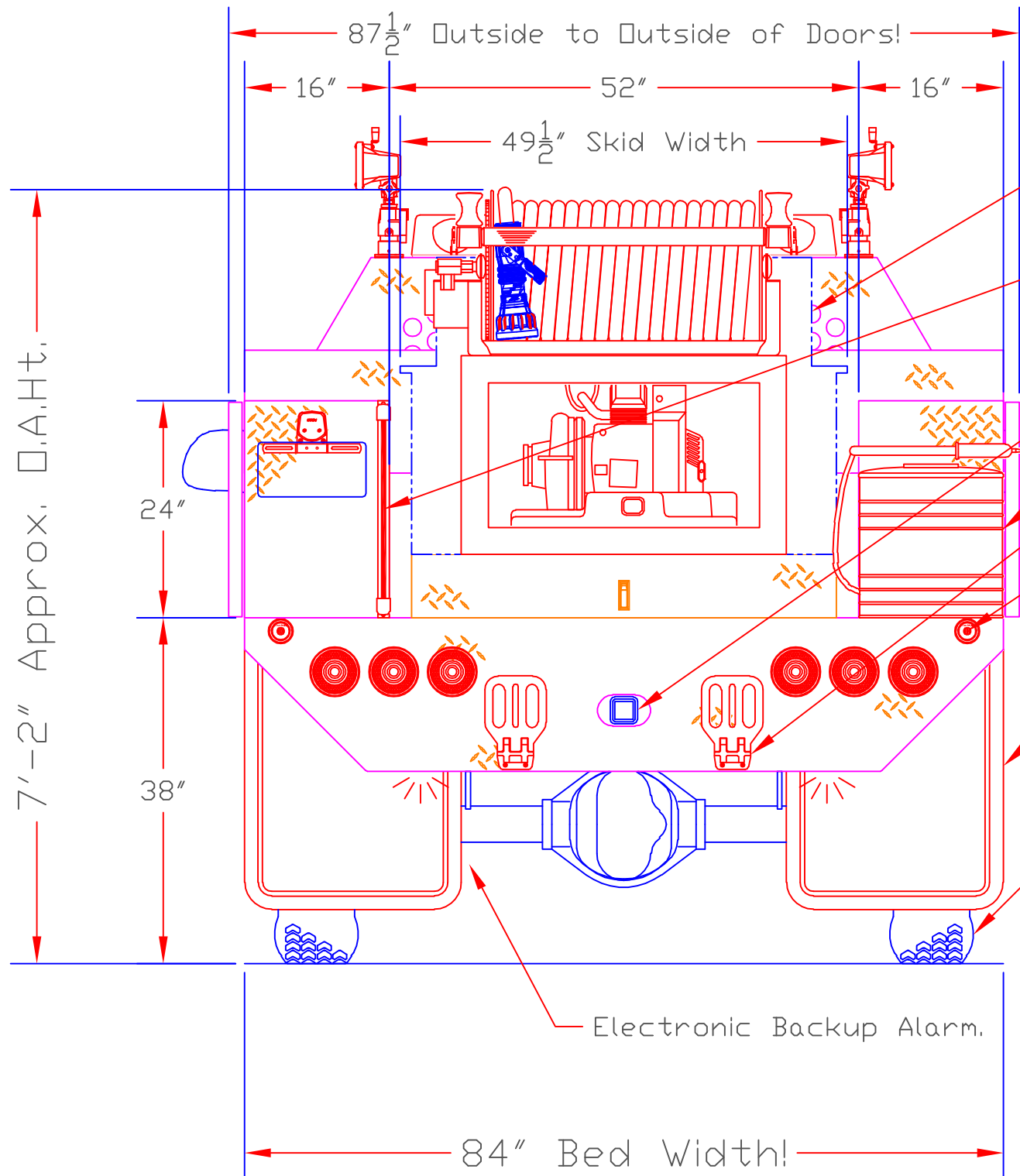
1		 <b>Fire Apparatus and Custom Fabricators</b> 11 Sperti Dr. Edgewood, Ky. 41017	SCALE: NTS	APPROVED BY:	DRAWN BY: RSC	
2			DATE: 03/22/04		JOB# 20558	
3			Eagle Fire Company			
4			Brush Unit			
5			DRAWING NUMBER			
6			20558001			
7						
8						
9	REVISIONS					



Right Side View


Time Modified: 10:57 A.M.  
Date: 10/28/1998  
Drawing File: F:\Drawings\Pumper\Mini\Eagle\20558002.dwg  
Scale: 1=20

1		<b>SUMMIT</b> Fire Apparatus and Custom Fabricators 11 Sperti Dr. Edgewood, Ky. 41017	SCALE: NTS	APPROVED BY:	DRAWN BY: RSC	
2			DATE: 03/22/04		JOB#: 20558	
3			Eagle Fire Company			
4			Brush Unit			
5			DRAWING NUMBER			
6			20558002			
7						
8						
9	REVISIONS					

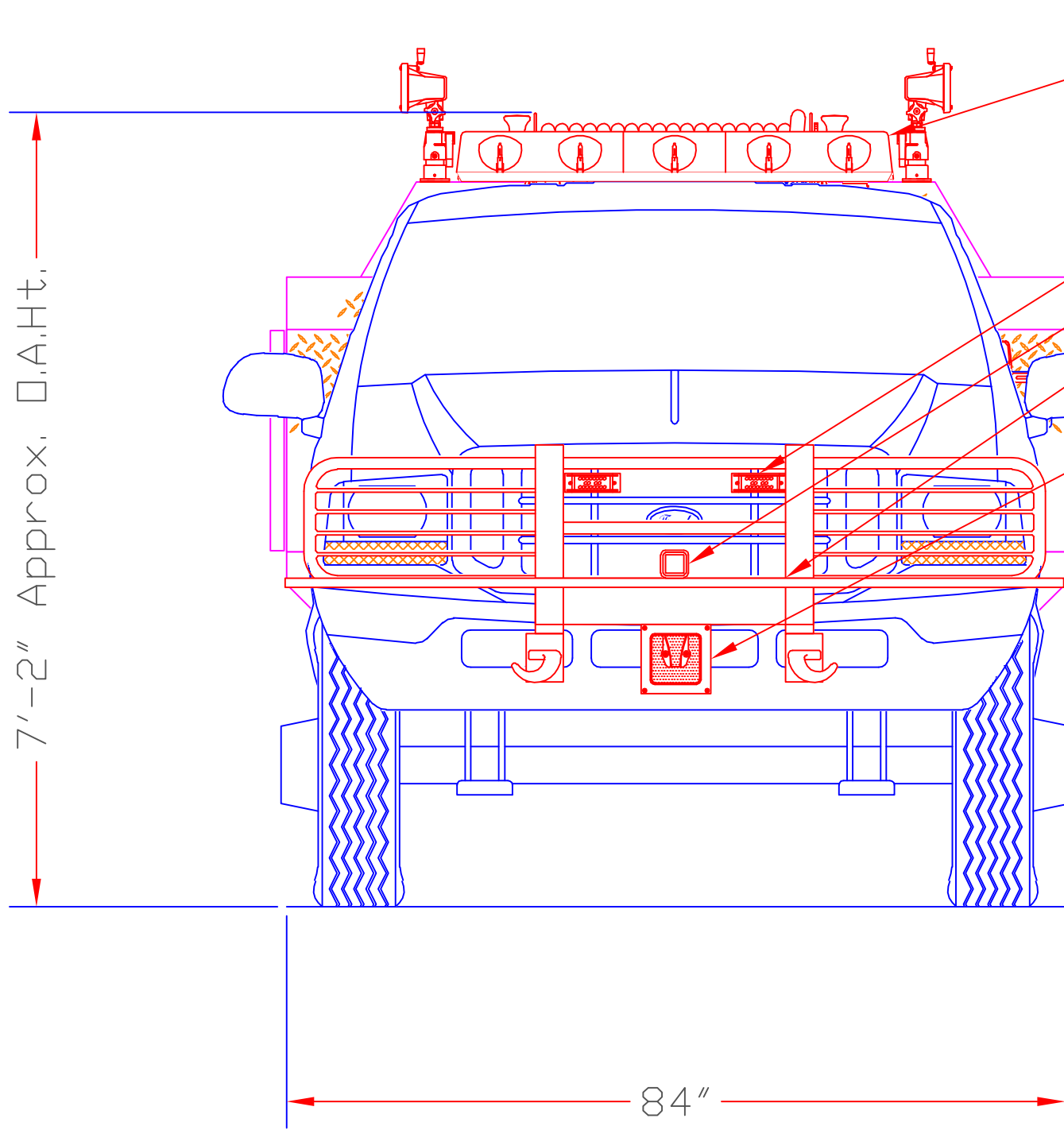


- Skid Unit with 200 Gallon Tank, Hale HP Pump, Hannay Reel and Foam Pro system and storage compartment. Unit shown for reference only! Unit may not be exactly as shown!
- NFPA Grab Rail.
- Receiver Hitch for Quick Mount Winch.
- Indian Can (3) Places.
- Folding Access Step (2) Places.
- DOT Lighting.
- Heavy Duty Mud Flap (2) Places.
- Note Single Tire Axle!

Rear View

1	04/22/04 Body Width	 Fire Apparatus and Custom Fabricators 11 Sperti Dr. Edgewood, Ky. 41017		
2				
3				
4				
5		SCALE: 3/4"=1'-0"	APPROVED BY:	DRAWN BY: RSC
6		DATE: 03/22/04		JOB#: 20558
7		Eagle Fire Company Brush Unit		
8				
9				
REVISIONS		DRAWING NUMBER		20558003


Time Modified: 10:57 A.M.  
 Date: 10/28/1998  
 Drawing File: F:\Drawings\Pumper\Mini\Eagle\20558003.dwg  
 Scale: 1=16



- PowerArc LED-FC2-SL46LB 46" Light Bar.
- PowerArc PP2 LED Light (2) Places.
- Receiver Hitch for Quick Mount Winch.
- Polished Stainless Steel Grill Guard. Unit shown for reference only! Unit may not be exactly as shown!
- Federal MS100 Dynamax Siren Speaker.
- Front Spray Bar with Flat Spray Heads.

Front View

Time Modified: 10:57 A.M.  
 Date Modified: 4/23/2004  
 Date Created: 3/18/2002  
 Drawing File: F:\Drawings\Pumper\Mini\Eagle\20558004.dwg  
 Scale: 1=16

①	04/22/04 Body Width	 <b>Fire Apparatus and Custom Fabricators</b> 11 Sperti Dr. Edgewood, Ky. 41017			
②					
③					
④					
⑤	SCALE: 3/4"=1'-0"			APPROVED BY:	DRAWN BY: RSC
⑥	DATE: 03/22/04				JOB#: 20558
⑦				Eagle Fire Company	
⑧					
⑨					
REVISIONS		Brush Unit	DRAWING NUMBER 20558004		