
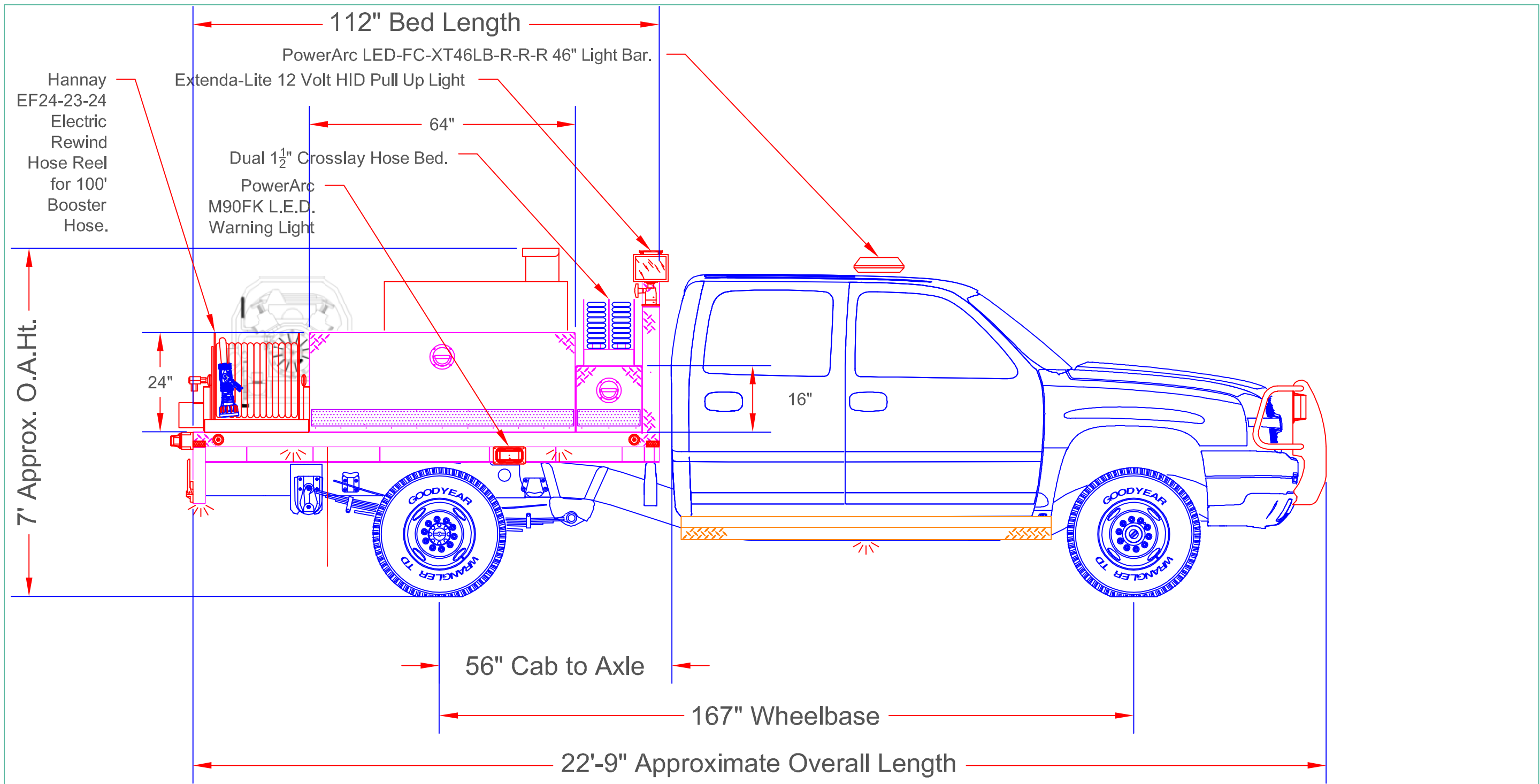


Left Side View


Time Modified: 3:04 P.M.  
 Date: 10/28/1998  
 Drawing File: F:\Drawings\Pumper\Mini\Western-Holmes\24580001.dwg  
 Scale: 1=24

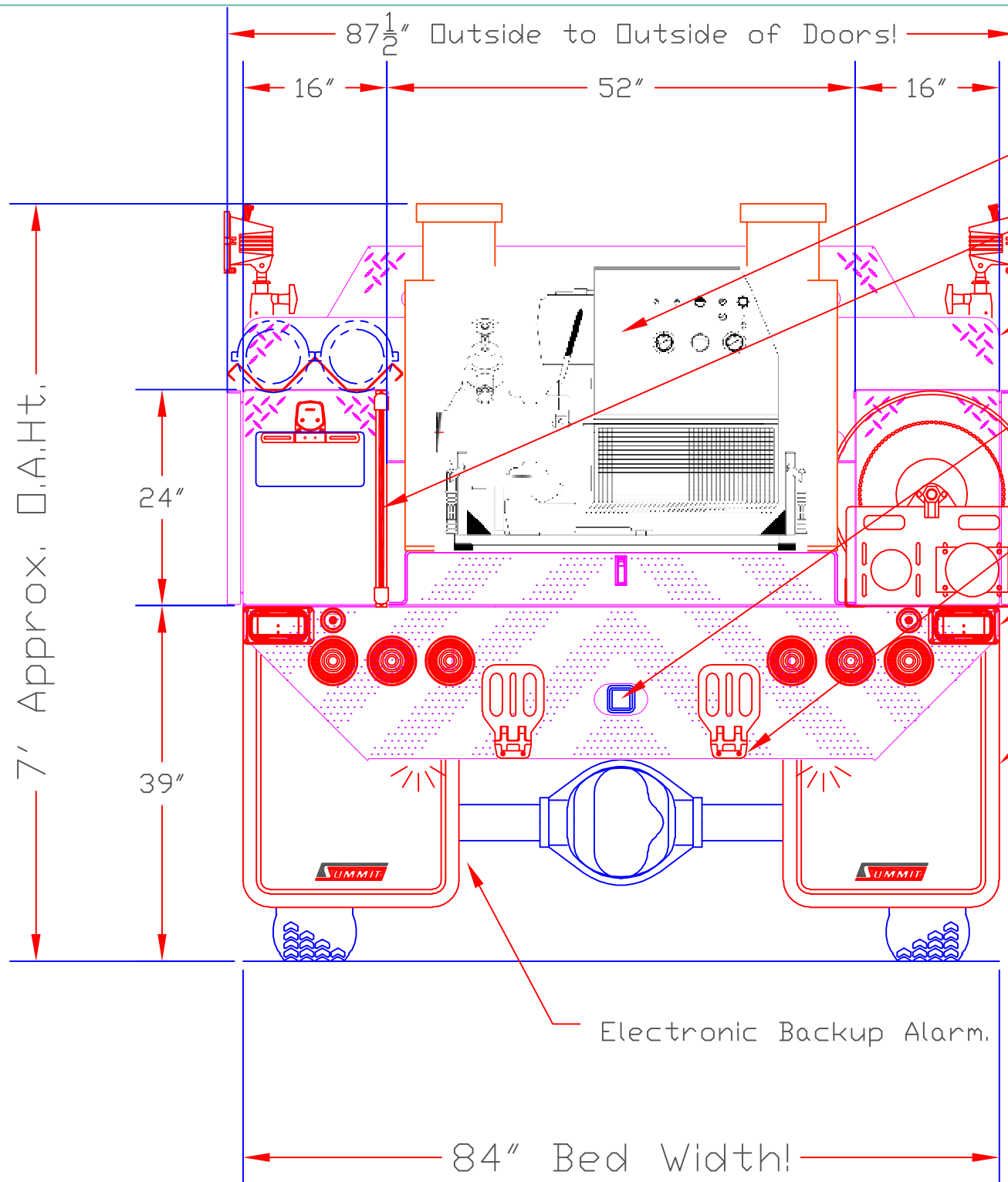
1		 <b>Fire Apparatus and Custom Fabricators</b> 11 Sperti Dr. Edgewood, Ky. 41017	SCALE: 1/2"=1'-0"	APPROVED BY:	DRAWN BY: RSC	
2			DATE: 02/07/08		JOB#: 24580	
3			Western-Holmes F.D.			
4			Brush Unit			
5			DRAWING NUMBER			
6			24580001			
7						
8						
9	REVISIONS					



Right Side View

Time Modified: 3:04 P.M.  
 Date: 10/28/1998  
 Drawing File: F:\Drawings\Pumper\Mini\Western-Holmes\24580002.dwg  
 Scale: 1=24

1		 <b>Fire Apparatus and Custom Fabricators</b> 11 Sperti Dr. Edgewood, Ky. 41017	SCALE: 1/2" = 1'-0"	APPROVED BY:	DRAWN BY: RSC	
2			DATE: 02/07/08		JOB# 24580	
3			Western-Holmes F.D.			
4			Brush Unit			
5			DRAWING NUMBER			
6			24580002			
7						
8						
9	REVISIONS					




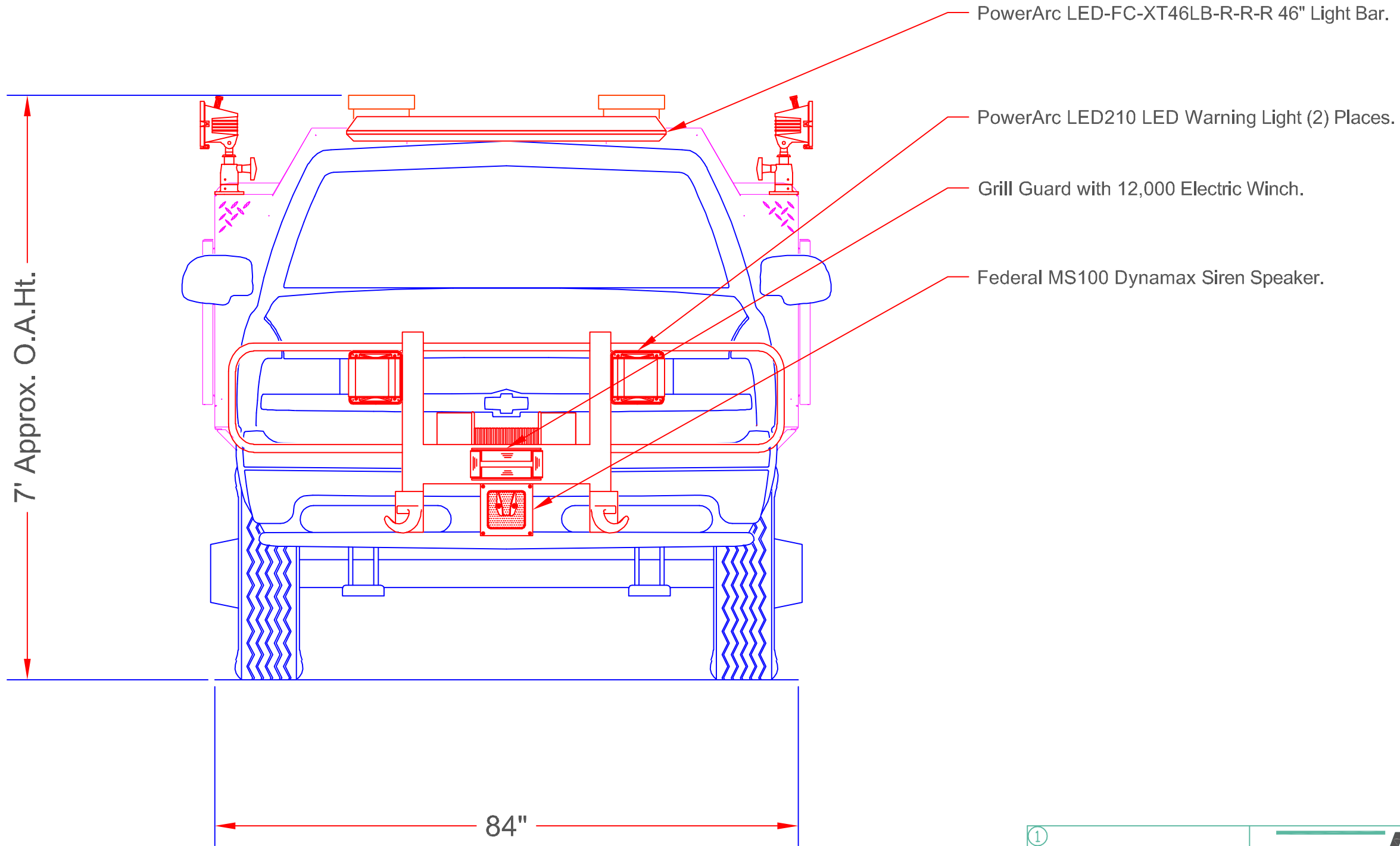
- Skid Unit with 200/20 Water/Foam UPF PolyTank, CET PFP-46HPVW-2D Pump.
- NFPA Grab Rail.
- Crosslay Hose Bed
- Receiver Hitch.
- Hannay EF24-23-24 Electric Rewind Hose Reel for 100' 1" Booster Hose.
- Folding Access Step (2) Places.
- PowerArc M90SM L.E.D. Warning Light (2) Places.
- Heavy Duty Mud Flap (2) Places.

Electronic Backup Alarm.

Rear View

Time Modified: 3:19 P.M.  
 Date Modified: 2/7/2008  
 Date Created: 2/7/2008  
 Drawing File: F:\Drawings\Pumper\Mini\Western-Holmes\24580003.dwg  
 Scale: 1=16

1	 <b>Fire Apparatus and Custom Fabricators</b> 11 Sperti Dr. Edgewood, Ky. 41017		SCALE: 3/4"=1'-0"	APPROVED BY:	DRAWN BY: RSC
2			DATE: 02/07/08		JOB#: 24580
3			Western-Holmes F.D.		
4			Brush Unit		
5			DRAWING NUMBER		
6			24580003		
7			REVISIONS		
8					
9					




7' Approx. O.A.Ht.

84"

Front View

Time Modified: 3:07 P.M.  
 Date Modified: 2/7/2008  
 Date Created: 3/18/2002  
 Drawing File: F:\Drawings\Pumper\Mini\Western-Holmes\24580004.dwg  
 Scale: 1=16

1		 <b>Fire Apparatus and Custom Fabricators</b> 11 Sperti Dr. Edgewood, Ky. 41017	
2			
3			
4			
5	SCALE: 3/4"=1'-0"	APPROVED BY:	DRAWN BY: RSC
6	DATE: 02/07/08		JOB#: 24580
7		Western-Holmes F.D.	
8		Brush Unit	
9	REVISIONS		DRAWING NUMBER 24580004